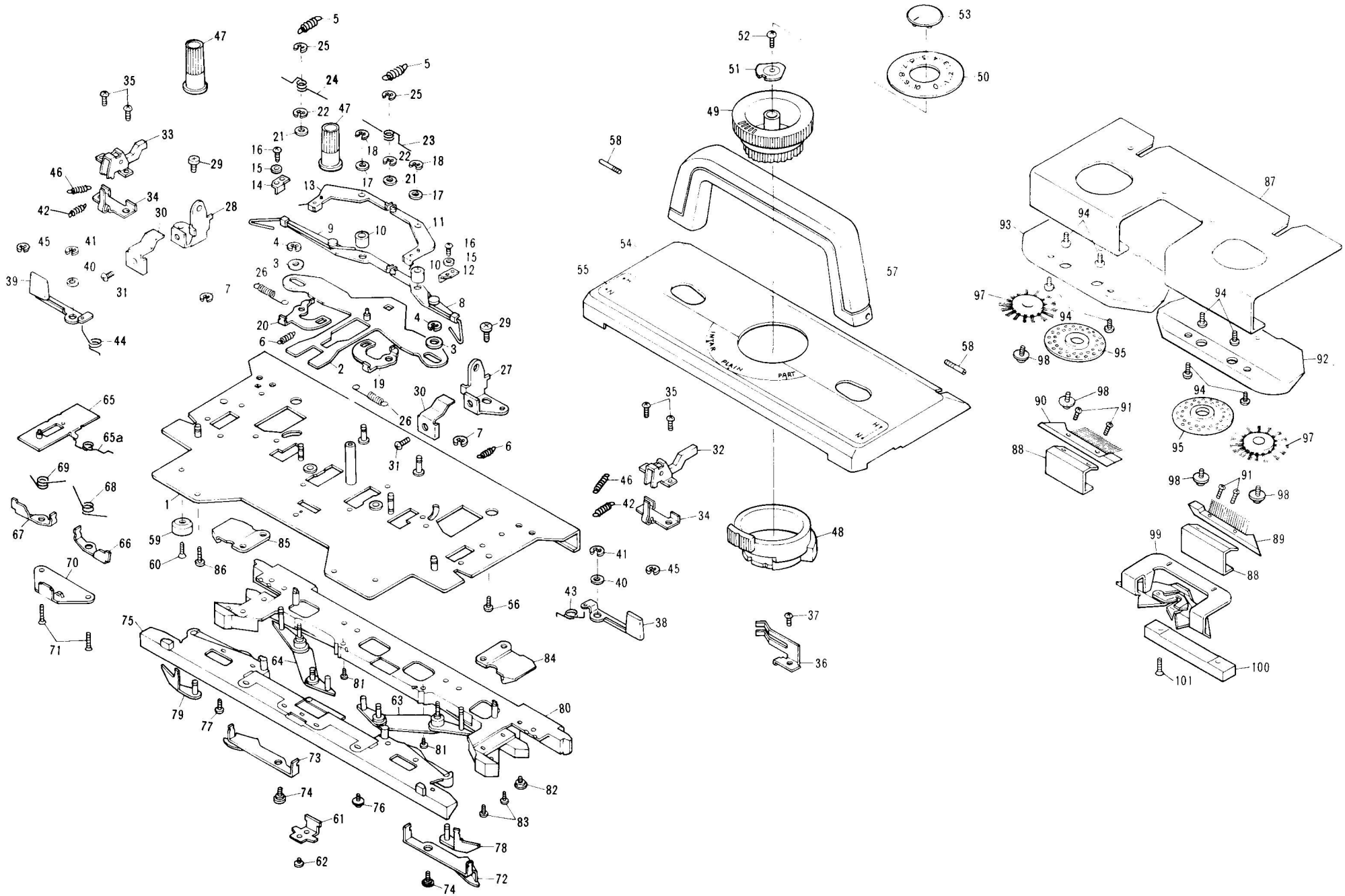


# PARTS CATALOGUE FOR BROTHER KH-230 MACHINE

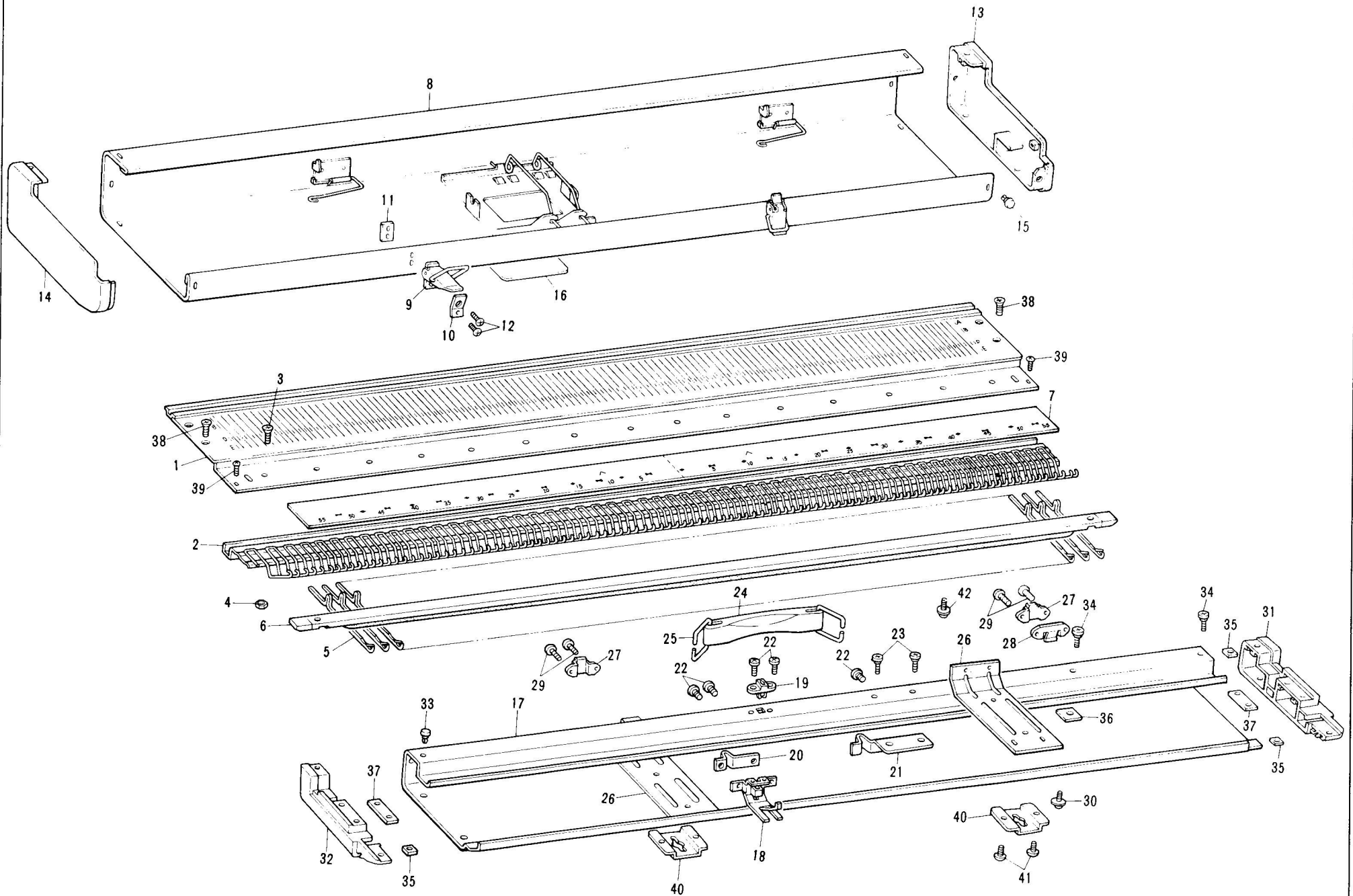


PARTS FOR CARRIAGE

Fig: A

# PARTS FOR CARRIAGE

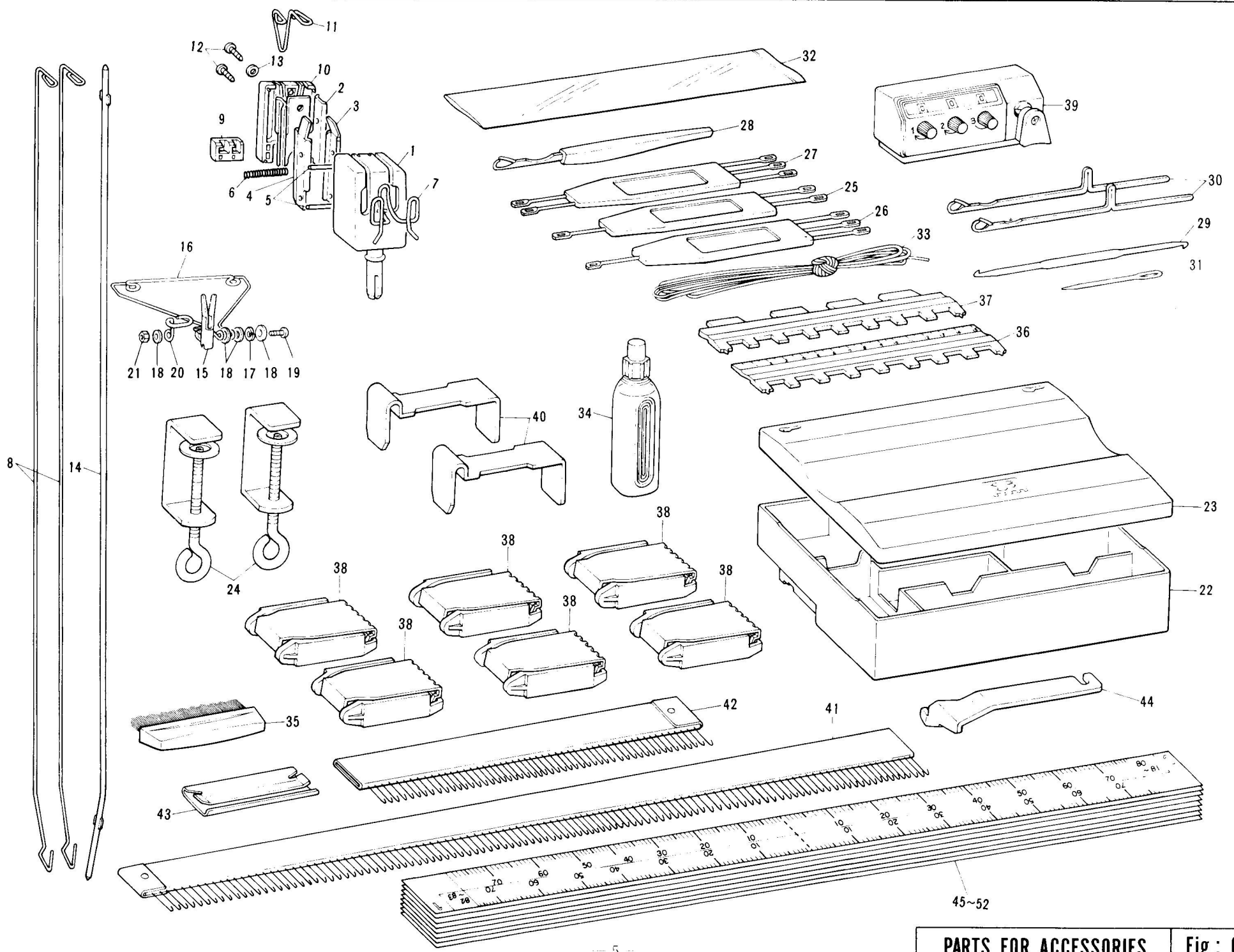
Ref. No.	Parts No.	Description	Revised	Q'ty	Ref. No.	Parts No.	Description	Revised	Q'ty
A 1-101	411411001	Carriage complete set KH-230 Brother		1	56	037351615	Tapping screw		2
1	411181001	Carriage plate		1	57	409605001	K carriage handle		1
2	411190001	Stitch cam guide plate		1	58	409608001	Screw		2
3	411205001	Washer 5.2		2	59	407285000	Carriage magnet 16		2
4	048040346	Snap ring		2	60	408773000	+ Flat head screw, 3.18×9		2
5	411206001	Stitch cam guide plate spring		2	61	411189001	Stripe adjuster plate		1
6	411207001	Raising cam spring		2	62	060679303	+ - Screw 3.57×3.5		1
7	048030346	Snap ring		2	63	411193001	Stitch cam assembly, R		1
8	411229001	Raising cam change plate, R		1	64	411201001	Stitch cam assembly, L		1
9	411233001	Raising cam change plate, L		1	65	411208001	Operation plate for intarsia		1
10	411244001	Spacer		2	65a	411255001	Spring for operation plate		1
11	411264001	Shift lever R for intarsia		1	66	411212001	Intarsia raising cam, R		1
12	411285001	Adjusting plate, R		1	67	411213001	Intarsia raising cam, L		1
13	411287001	Shift lever L for intarsia		1	68	411211001	Spring R for intarsia raising cam		1
14	411286001	Adjusting plate, L		1	69	411257001	Spring L for intarsia raising cam		1
15	403069001	Washer		2	70	411214001	Guide cam, M		1
16	060660403	+ - Screw 3.18×4		2	71	408773001	Flat head screw 3.18×9		2
17	403387001	Washer		2	72	411215001	Intarsia knitting cam, R		1
18	048030346	Snap ring		2	73	411216001	Intarsia knitting cam, L		1
19	411245001	Sub raising cam change plate, R		1	74	409528001	Stud screw		2
20	411246001	Sub raising cam change plate, L		1	75	411258001	Front foot		1
21	403387001	Washer		2	76	408913001	Fastening screw		5
22	048030346	Snap ring		2	77	060660603	+ - Screw 3.18×6		2
23	411247001	Sub change spring, R		1	78	411219001	Holding cam, right		1
24	411248001	Sub change spring, L		1	79	411222001	Holding cam, left		1
25	048030346	Snap ring		2	80	411228000	Rear foot		1
26	411249001	Spring for sub raising cam		2	81	405658001	Fastening screw		2
27	409520001	Handle setting base, right		1	82	409494001	Screw 3.57		4
28	409521001	Handle setting base, left		1	83	060660603	+ - Screw 3.18×6		4
29	411265001	+ - Screw, 4.37×4		2	84	411226001	Guide cam, right		1
30	409522001	Handle lock spring		2	85	411227001	Guide cam, left		1
31	060670403	+ - Screw 3.57×4		2	86	062681203	+ - Screw 4.37×12		2
32	411250001	Row counter tripper assembly		1	87-101	411273001	Sinker plate complete		1
33	411252001	Knit-leader tripper assembly		1	87	411274001	Sinker plate arm		1
34	406276001	Row conter tripper spring		2	88	411275001	Brush arm		2
35	062660403	+ - Screw 3.18×4		4	89	410003001	Latch opening brush, right		1
36	411254001	Stitch dial notch spring		1	90	410004001	Latch opening brush, left		1
37	060660303	+ - Screw 3.18×3		1	91	037280616	Screw		4
38	411179001	Holding cam lever, R		1	92	411276001	Sinker plate, right		1
39	411180001	Holding cam lever, L		1	93	411278001	Sinker plate, left		1
40	403387001	Washer		2	94	060660303	+ - Screw 3.18×3		8
41	048030346	Snap ring		2	95	410988001	Rubber wheel		2
42	411224001	Holding cam spring		2	97	411280001	Wheel brush 9P		2
43	411225001	H.C.L. spring, right		1	98	409621001	+ - Screw 3.18		4
44	411243001	H.C.L. spring, left		1	99	411281001	Plating yarn feeder		1
45	048040346	Snap ring		2	100	408838000	Magnet		1
46	411217001	Intarsia knitting cam spring		2	101	411284001	+ Flat head screw, 3.18×11		2
47	409596001	Thumb nut		2					
48	411266001	Pattern selector lever		1					
49	411268001	Stitch dial		1					
50	411415001	Stitch dial indicator plate		1					
51	406283001	Stitch dial presser		1					
52	060660603	+ - Screw 3.18×6		1					
53	409601001	Stitch dial cap		1					
54-55	411412001	Carriage cover assembly		1					
55	411413001	Carriage cover decoration plate		1					



PARTS FOR NEEDLE BED & CARRYING CASE Fig : B

# PARTS FOR NEEDLE BED & CARRYING CASE

Ref. No.	Parts No.	Description	Revised	Q'ty	Ref. No.	Parts No.	Description	Revised	Q'ty
B 1	411292001	Needle bed assembly 9P		1					
2	411297001	Needle bed comb assembly 9P		1					
3	004630704	Screw		15					
4	405077001	Nut		15					
5	411300001	Plain needle 9P		110					
6	411301001	Needle presser bar		1					
7	411304001	Needle position indicator 9P		1					
8-37	411305001	Carrying case complete w/o name plate		1					
8-15	411306001	Carrying case upper assembly		1					
8	411309001	Carrying case upper body		1					
9	411328001	Carrying case lock assembly		2					
10	404027001	Carrying case lock spring		2					
11	403542001	Fastening plate		2					
12	405658001	Fastening screw		4					
13	411313001	Upper side plate, right		1					
14	411314001	Upper side plate, left		1					
15	408194001	Plastic rivet		10					
16	411416001	Brother name plate		1					
17-37	411307001	Carrying case lower assembly		1					
17	411315001	Carrying case lower body		1					
18	411316001	Yarn tension rod stand		1					
19	411319001	Yarn tension setting hole cover		1					
20	411320001	Handle setting base, L		1					
21	411321001	Handle setting base, R		1					
22	060660504	+ - Screw 3.18x5		5					
23	411329001	Stud screw for row counter		2					
24	402422005	Carrying case handle		1					
25	407247001	Carrying case handle ring		2					
26	411322000	Stay		2					
27	411323001	Knit-leader setting plate		2					
28	411332000	Spring for KL setting plate		1					
29	060660504	+ - Screw 3.18x5		4					
30	409710001	+ - Screw with washer		2					
31	411324001	Lower side plate, right		1					
32	411325001	Lower side plate, left		1					
33	408194001	Plastic rivet		7					
34	411327001	Stud screw for accessory tray		2					
35	407252001	Square nut, 3.18		3					
36	411326001	Nut 3.18		1					
37	411333001	Needle bed fastening plate		2					
38	407119001	Screw		4					
39	060660704	+ - Screw 3.18x7		2					
40	411334001	Table clamp setting plate		2					
41	060660504	+ - Screw 3.18x5		4					
42	409710001	+ - Screw with washer		2					



**PARTS FOR ACCESSORIES**      **Fig : C**

# PARTS FOR ACCESSORIES

Ref. No.	Parts No.	Description	Revised	Q'ty	Ref. No.	Parts No.	Description	Revised	Q'ty
C 1-21	411335001	Yarn tension unit		1					
8	411345001	Take-up spring		2					
14	409844001	Yarn tension rod		1					
15	411349001	Rear yarn guide holder		1					
16	406246000	Rear yarn guide		1					
17	028350246	Spring washer		1					
18	400806004	Washer		4					
19	062661406	+ - Screw 3.18×14		1					
20	411350001	Plating yarn guide		1					
21	021660406	Nut		1					
22-23	111351001	Accessory box complet		1					
24	409199001	Table clamp		2					
25	411354001	1-2 transfer tool 9P		1					
26	411355001	1-3 transfer tool 9P		1					
27	411356001	2×3 transfer tool 9P		1					
28	411357001	Latch tool 9P		1					
29	409212001	Crochet		1					
30	411300001	Plain needle 9P		2					
31	409211001	Tapestry needle		1					
32	407483000	Spare needle case		1					
33	402389001	Cast-on thread		1					
34	405135004	Special knitting machine oil		1					
35	403552002	Hand brush		1					
36	411360001	1-1 needle pusher 9P		1					
37	411361001	1-3 needle pusher 9P		1					
38	404883005	Claw weight		6					
39	405209006	Row counter		1					
40	411362001	Setting plate for KL-116 to KH-230		2					
41-43	411379001	Cast-on comb set 9P		1					
41	411363001	Cast-on comb, long 9P		1					
42	411364001	Cast-on comb, short 9P		1					
43	411365001	Connecting plate for cast-on comb		1					
44	411366001	Carriage lock		1					
45-52	411367001	Scale set 9P		1					
	491230011	Instruction manual KH-230E		1					